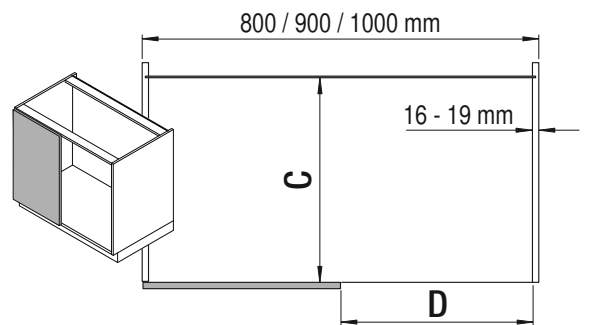
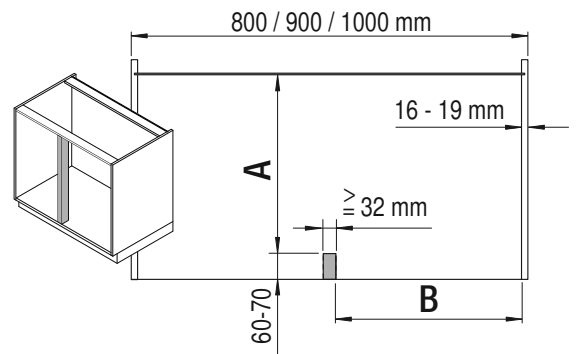
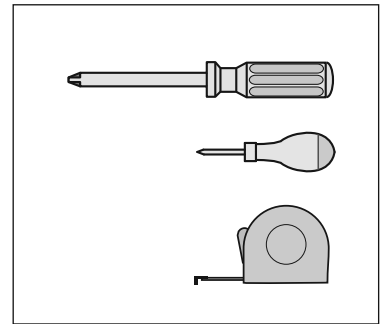
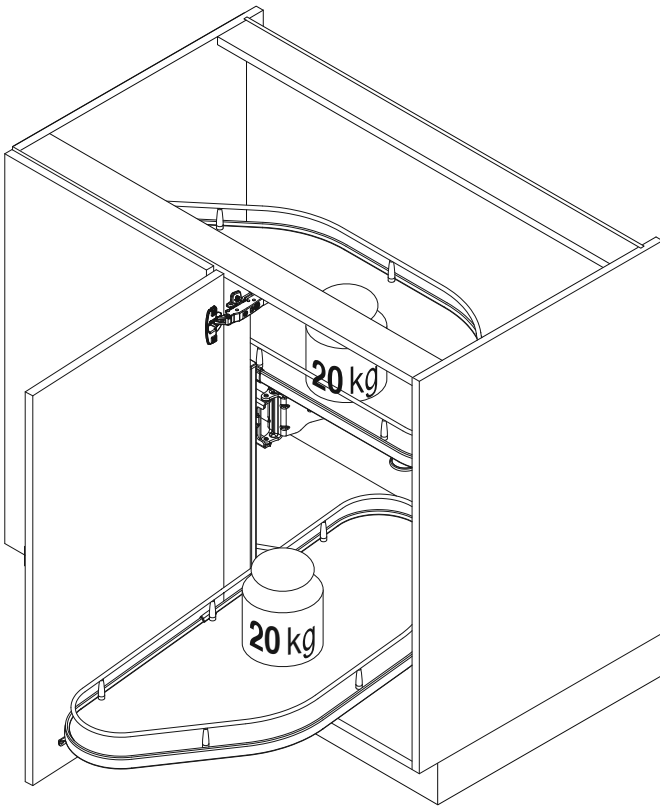




04 / 2016

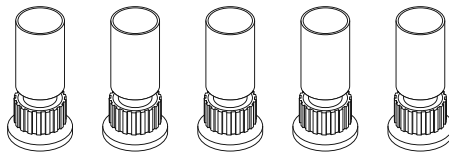
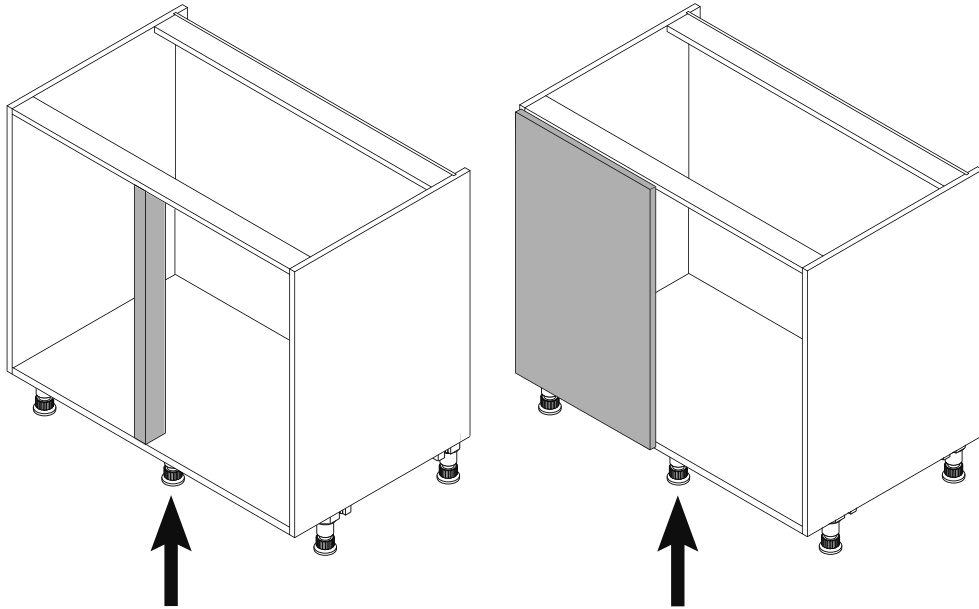
CORNERSTONE L/R



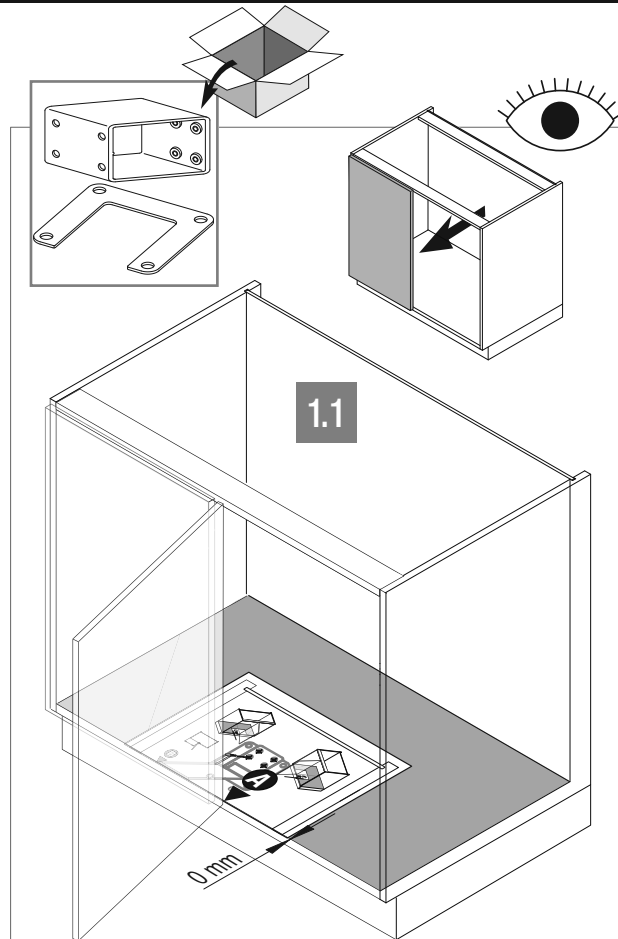
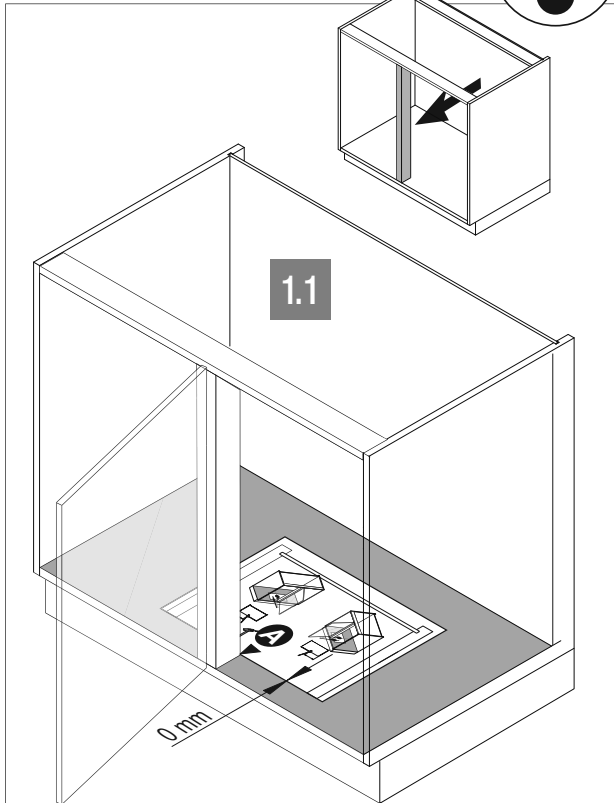
T	K	A	B	C	D
400	800	≥ 425	≥ 362	≥ 485	≥ 381
450	900	≥ 425	≥ 412	≥ 485	≥ 431
500	1000	≥ 425	≥ 462	≥ 485	≥ 481

(8 x) 4 x 16 mm (4 x) M4 x 20 mm

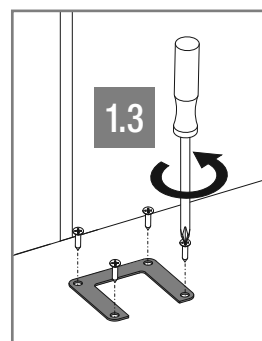
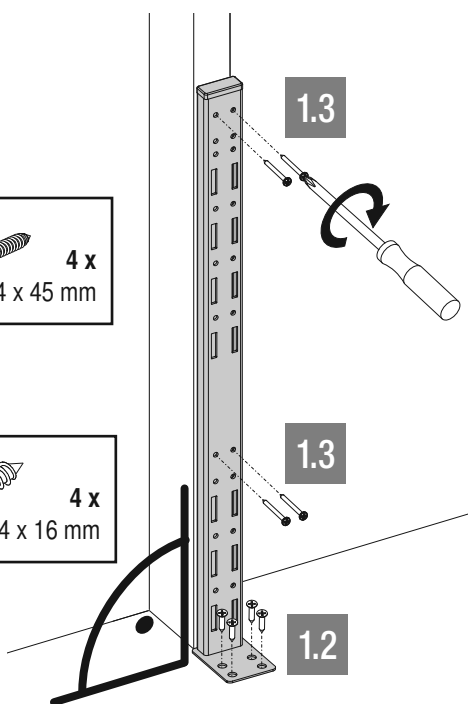
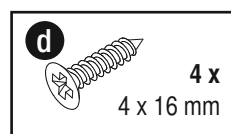
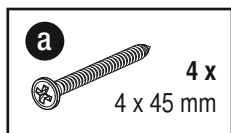
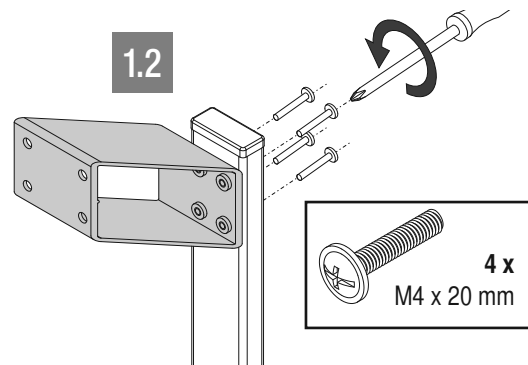
- a** (4 x) 4 x 45 mm
- b** (1 x) M4 x 12 mm
- c** (10 x) 6,3 x 14 mm
- d** (6 x) 4 x 16 mm
- e** (1 x)
- f** (1 x)
- g** (4 x)
- h** (3 x)
- i** (2 x)
- j** (2 x)
- k** (2 x)
- l** (2 x)



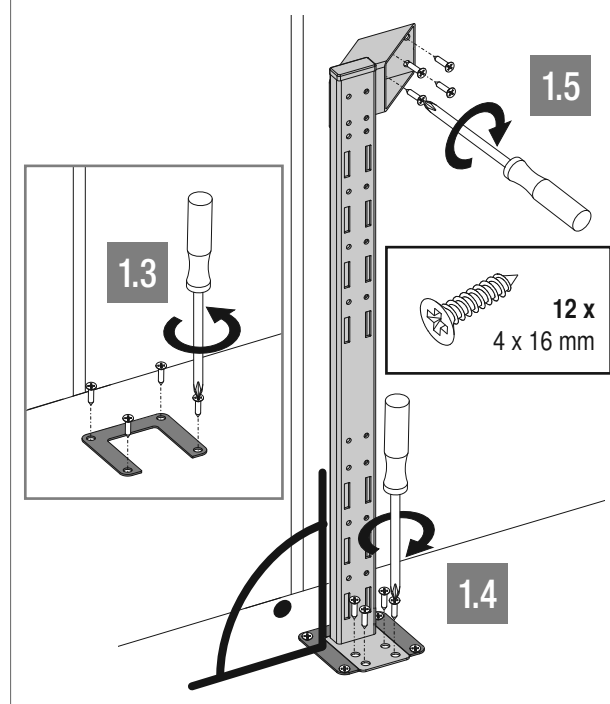
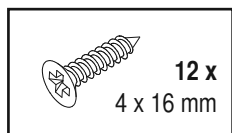
1R

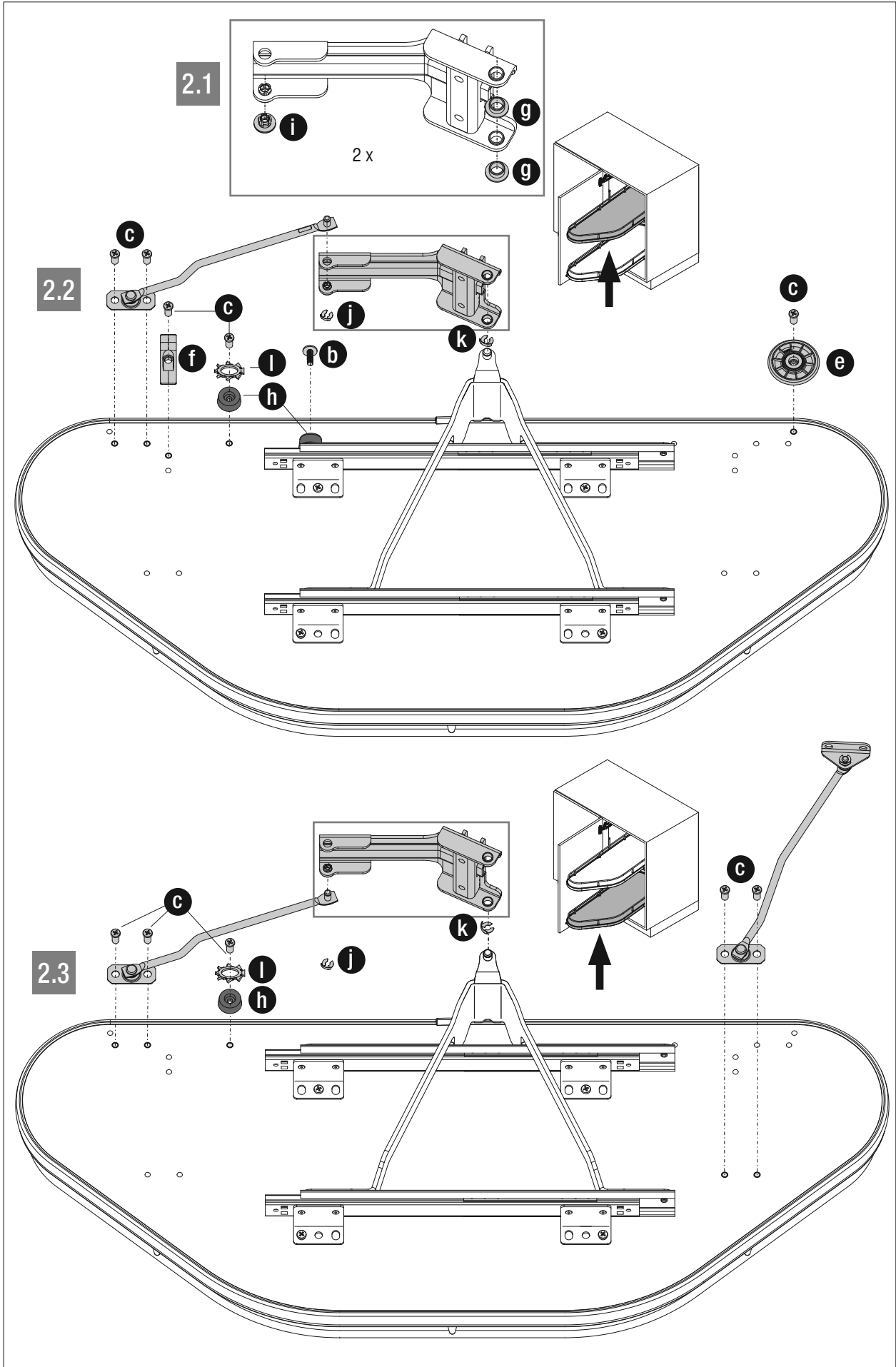


1.2

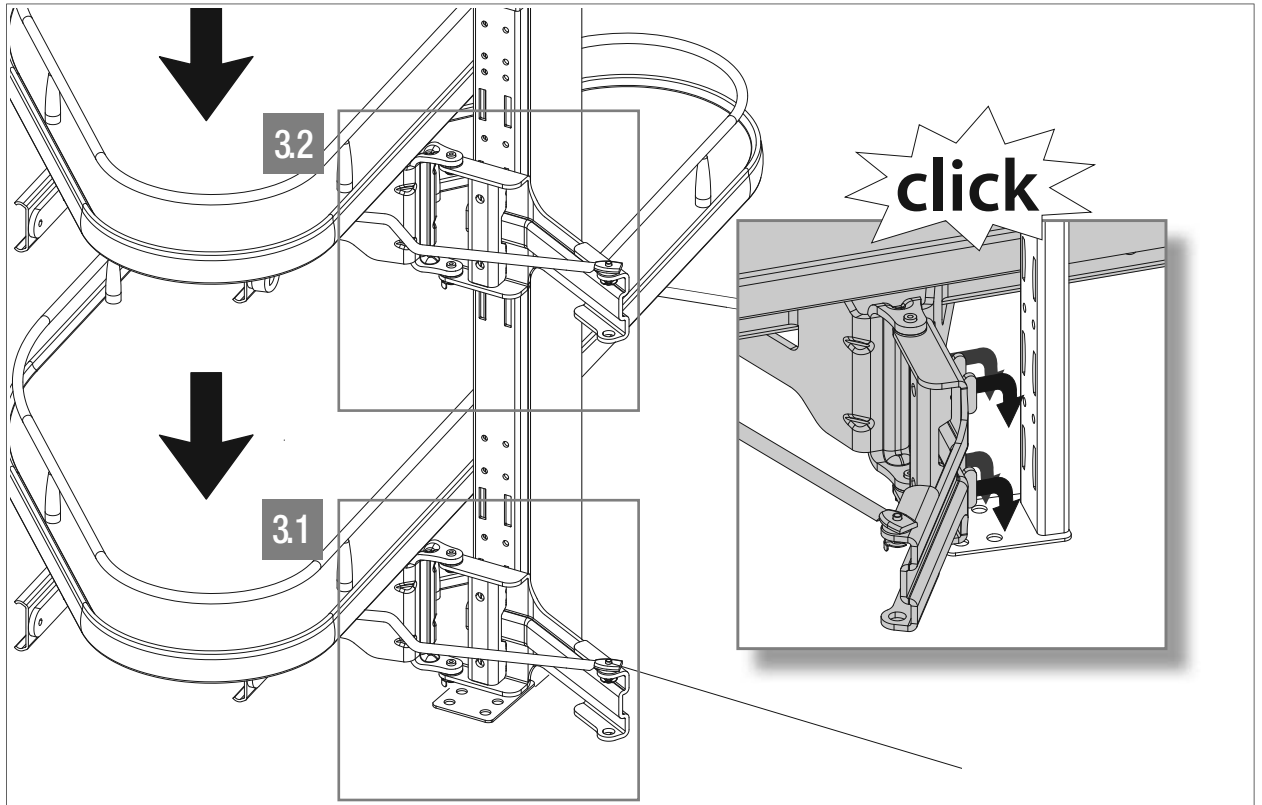


1.5





3R

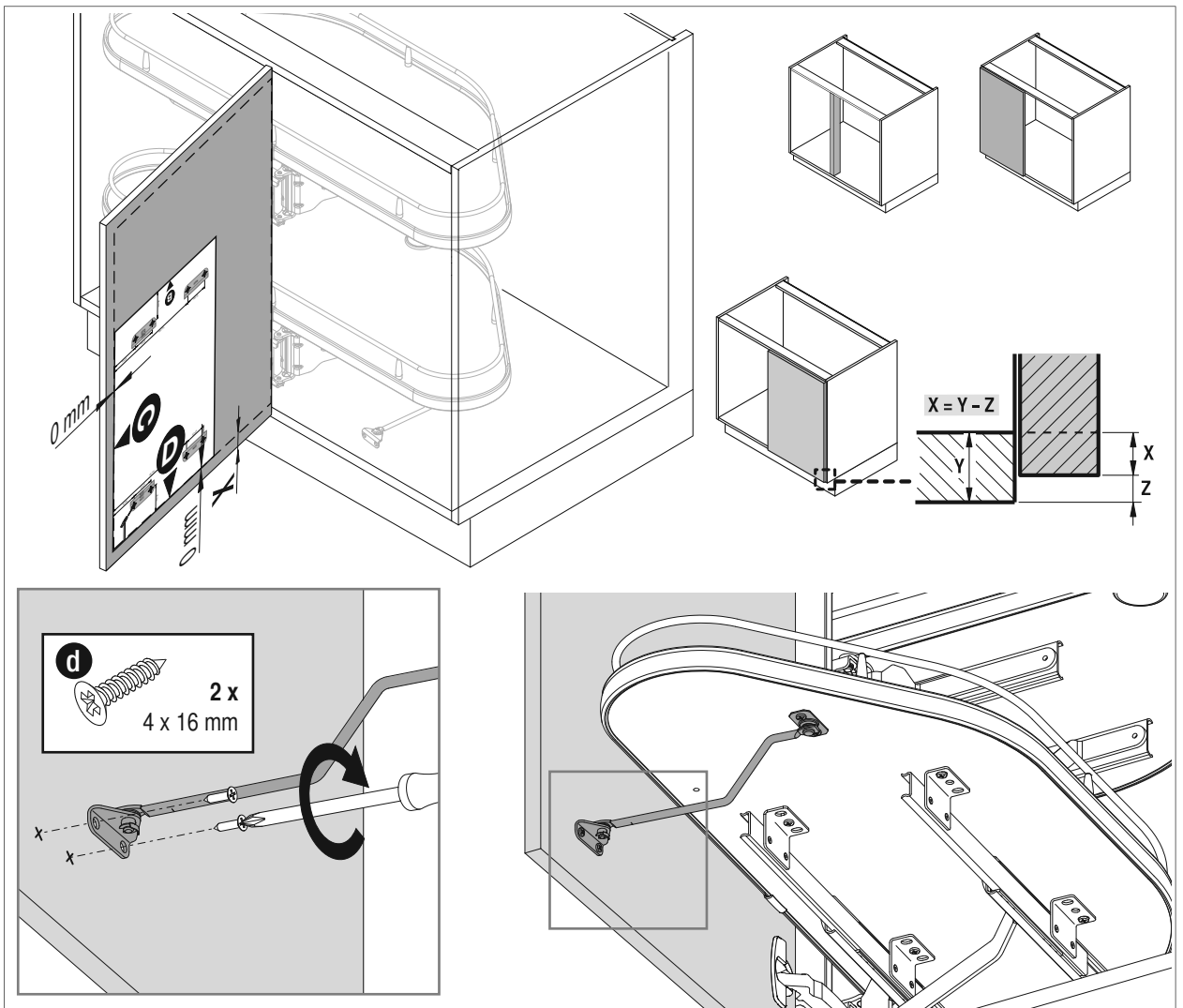


4R



C

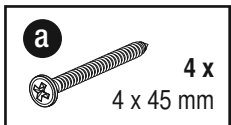
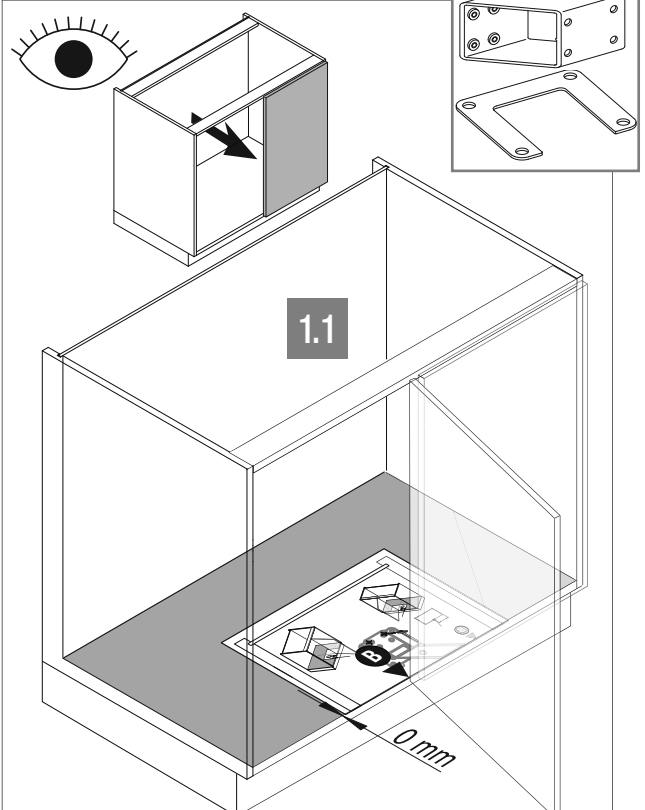
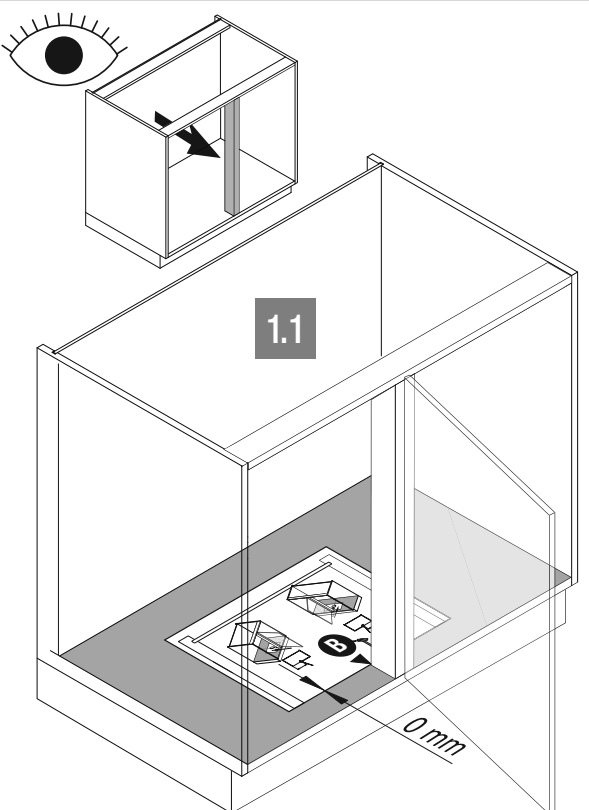
D



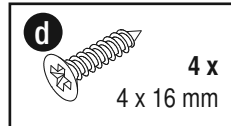
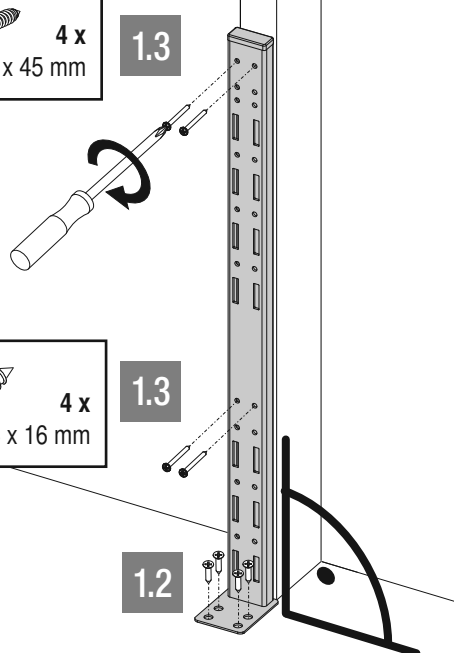
1L



B

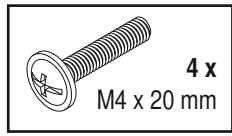
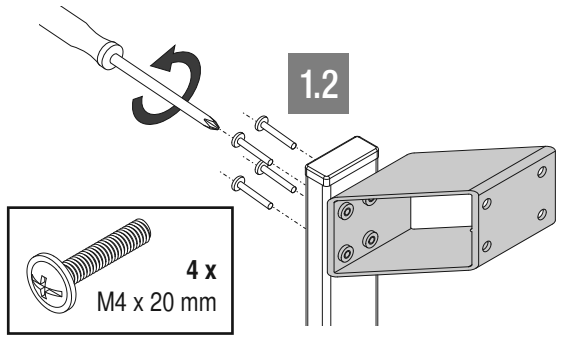


1.3

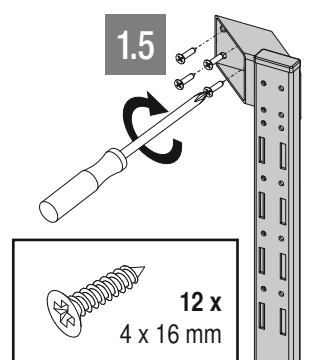


1.3

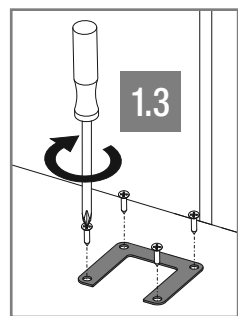
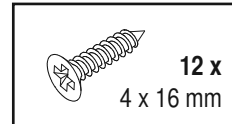
1.2



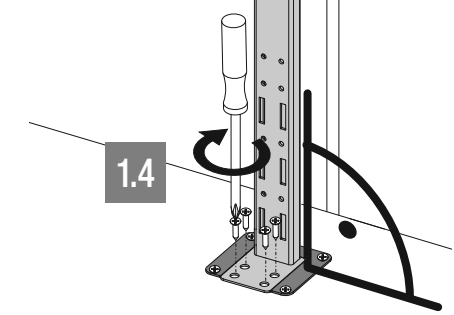
1.2



1.5

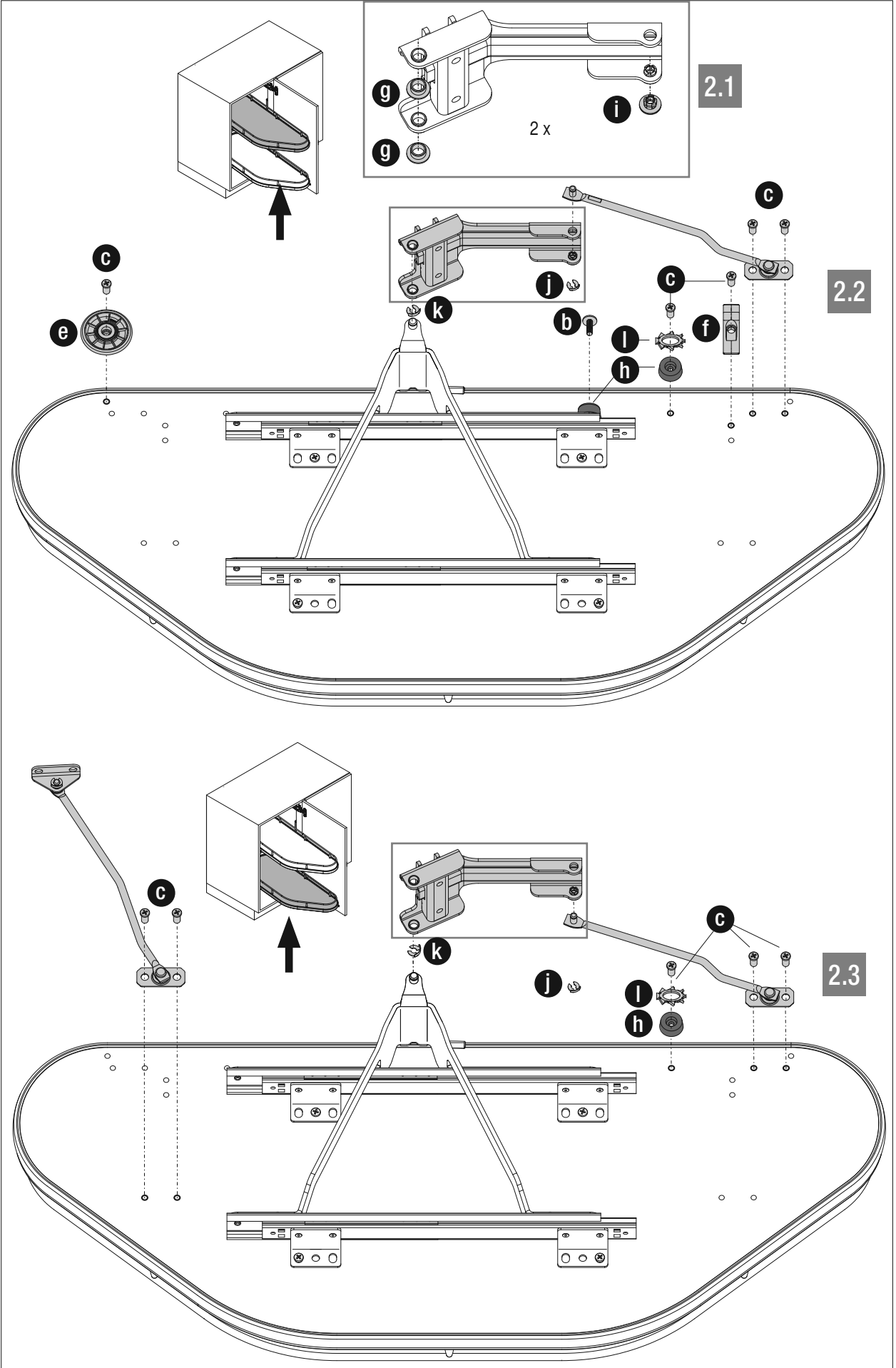


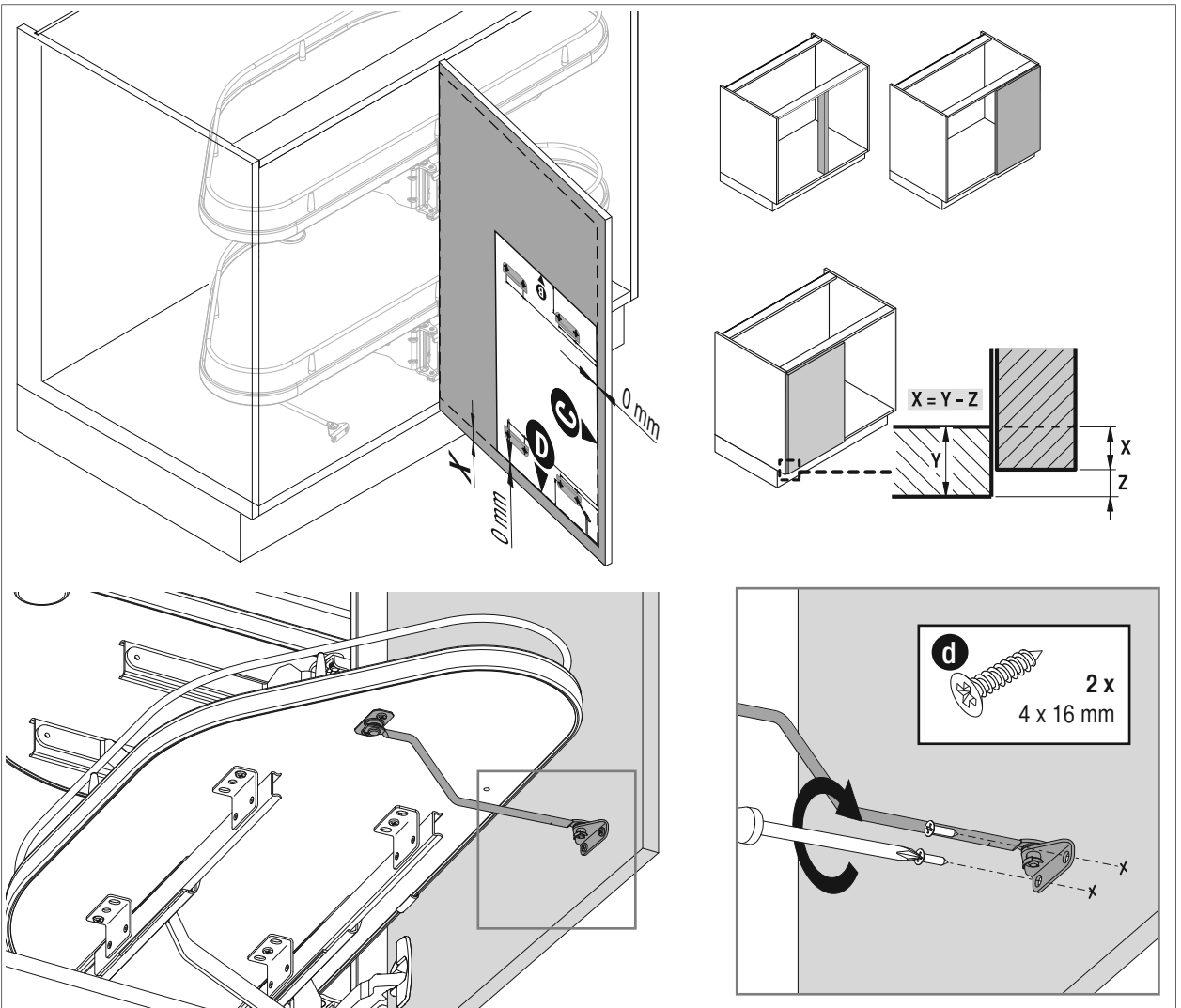
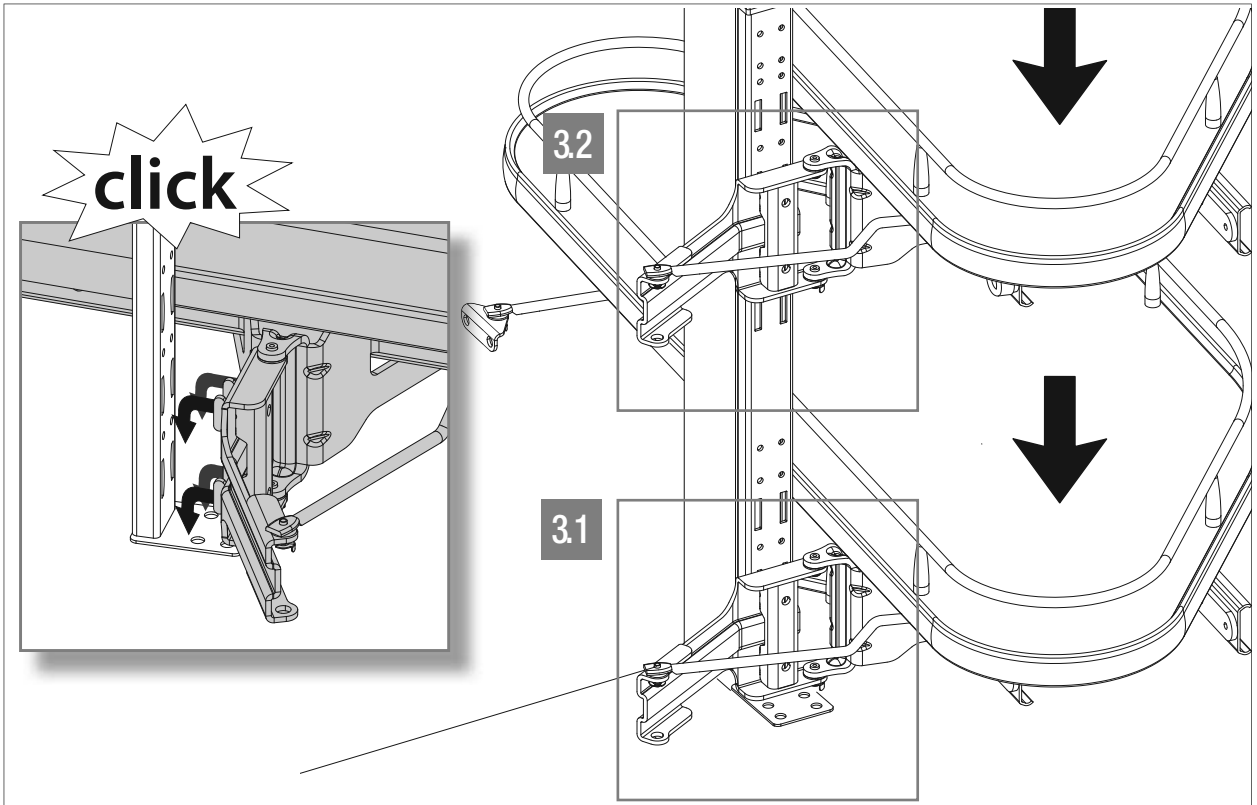
1.3



1.4

2L



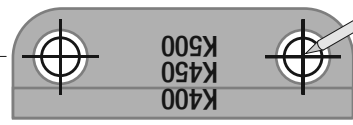




32 mm



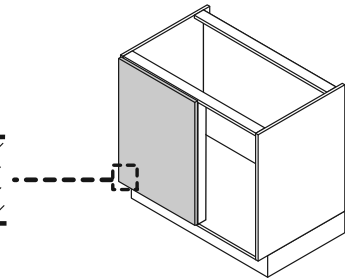
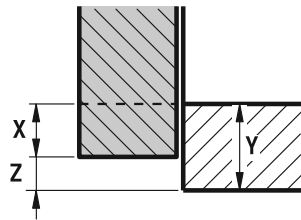
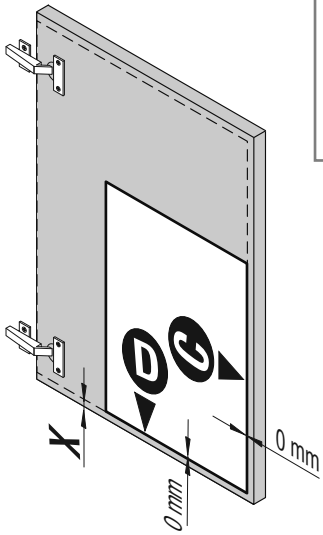
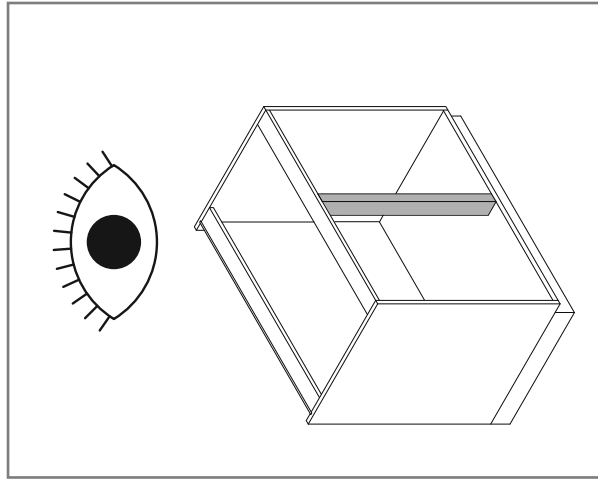
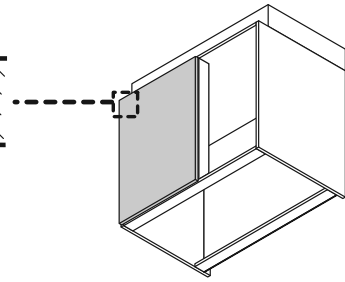
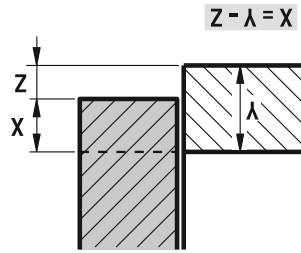
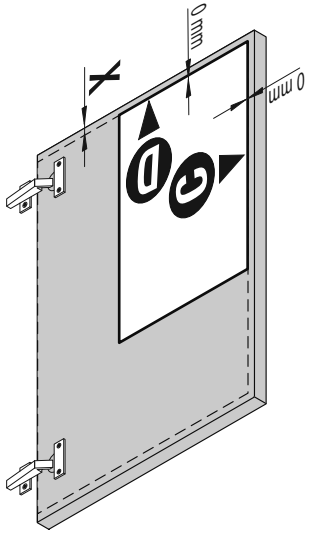
32 mm



140 mm

32 mm

40 mm



32 mm

140 mm



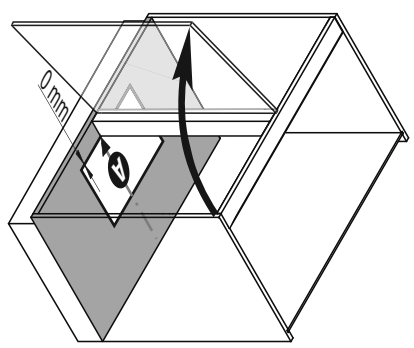
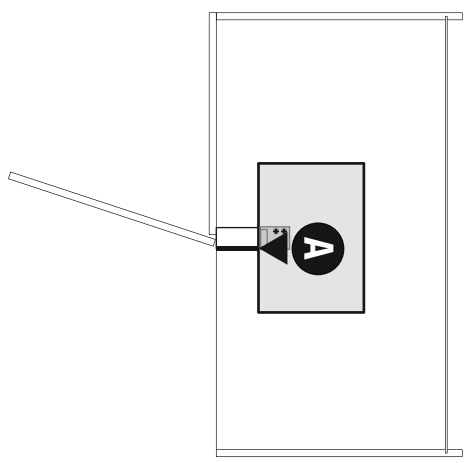
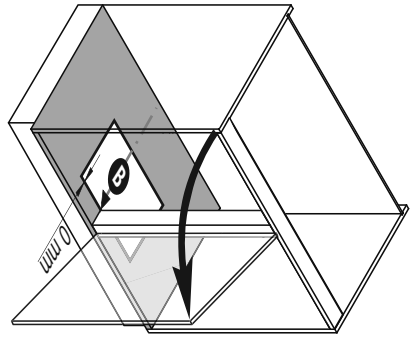
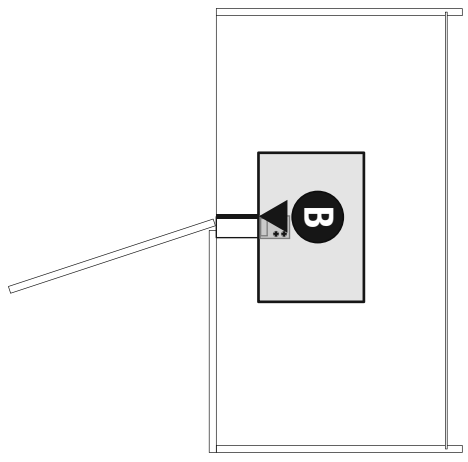
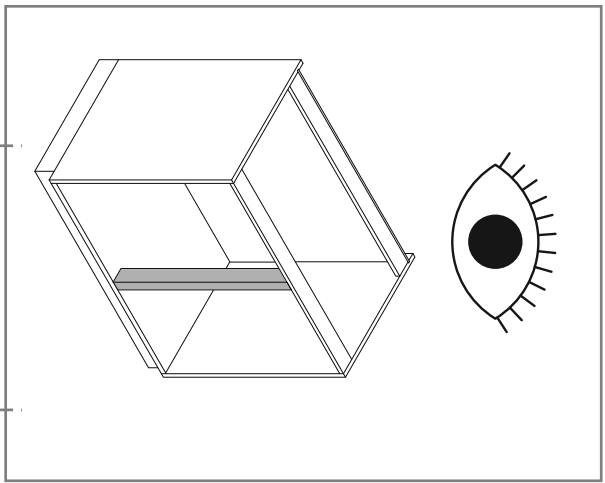
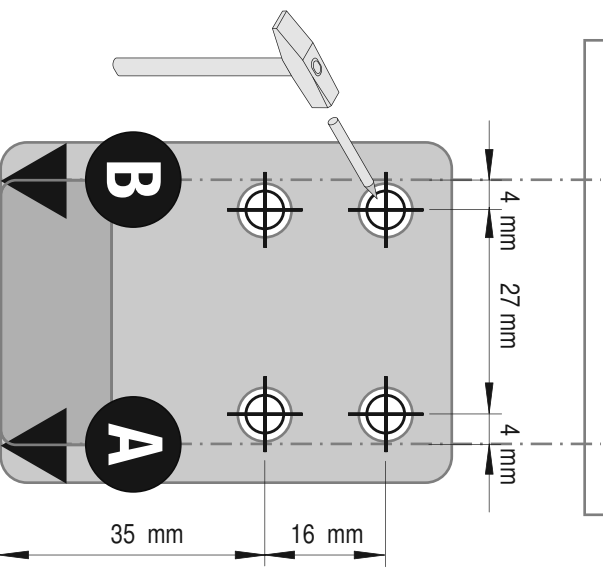
32 mm

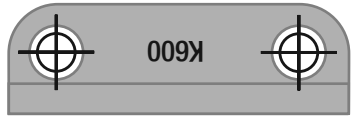


32 mm

40 mm





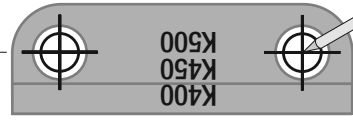


K600

32 mm



32 mm

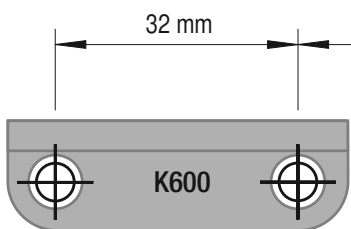
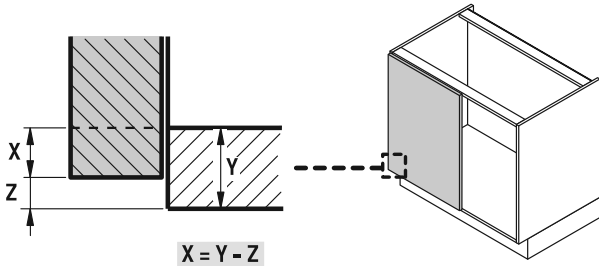
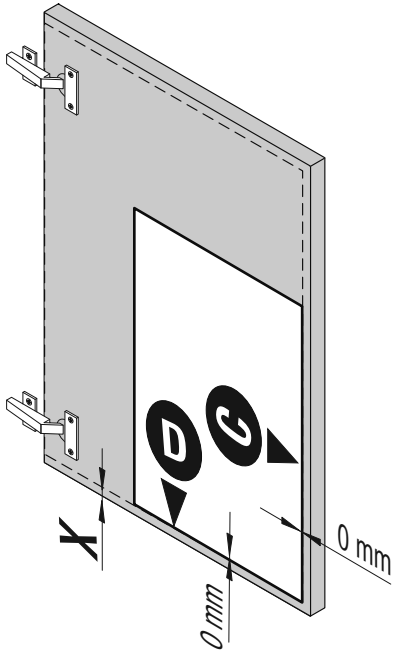
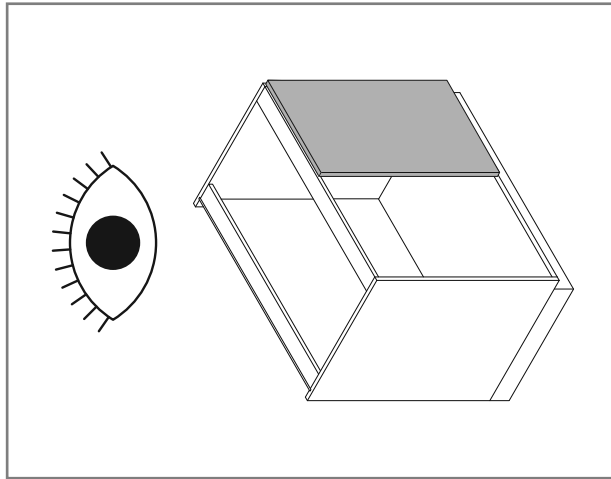
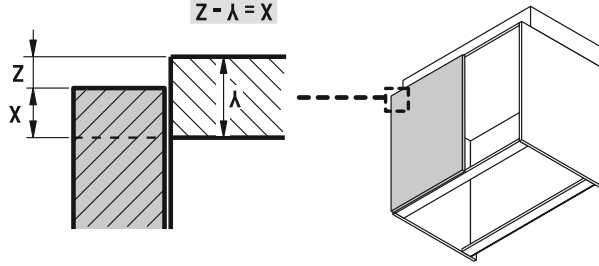
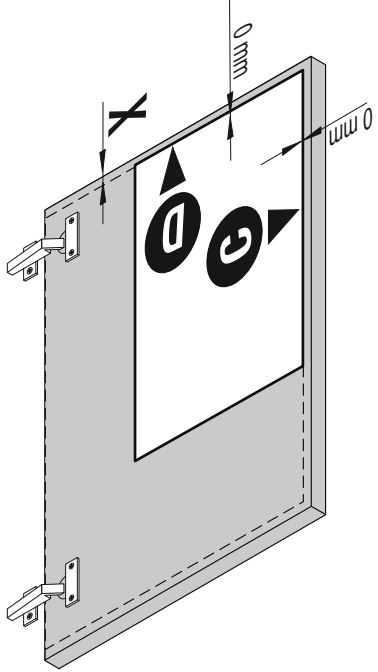


K400
K450
K500

32 mm

40 mm

140 mm

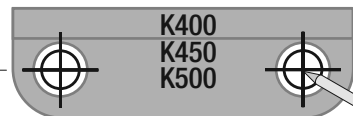


K600

32 mm



32 mm



K400
K450
K500

32 mm

40 mm

140 mm



